

**Körperschalllautsprecher EXT-3213K13**

Art. Nr. 105005

**Specification:**

NO	ITEM	SPECIFICATION
1	Mechanical Layout & Dimensions	Shown in the Exciter-02.Drw
2	Nominal Impedance	$8\Omega \pm 15\%$ at 1KHZ, 1.0V (D.C.R= $7.2\Omega \pm 10\%$ )
3	Input Power	Nom. Input 20W
		Max. Input 40W
4	Operation	8.94 Volt (200Hz-20KHz) Sweep Time at 2s
5	Resonance <del>FerQ</del> . F0	$165 \pm 20\%$ HZ (F0 Meter)
6	Flux Density	12500 GAUSS $\pm 10\%$
7	Insulation Resistance	No Less than 1M at DC 100V
8	Polarity	When positive voltage is applied to the (+) Terminal, Voice Coil should move out of the Air gap.
9	Weight	$135g \pm 10\%$ (Exciter weight)
10	Power Test	IEC 268-5 12.65V 24 Hours
11	Heat Resistance	Temperature: $+60^{\circ}\text{C} \pm 2^{\circ}\text{C}$
		Duration: 24 hours
12	Humidity Resistance	Temperature: $+40^{\circ}\text{C} \pm 2^{\circ}\text{C}$
		Relative Humidity: 93(+2/-3)%
		Duration: 48 Hours(GB)
13	Low Resistance	Temperature: $-10^{\circ}\text{C} \pm 3^{\circ}\text{C}$ testing 1 Hours (GB)
		And then $-20^{\circ}\text{C} \pm 3^{\circ}\text{C}$ testing 2 Hours(GB)
14	Dropping Test	$600 \pm 25\text{mm}$ $60^{\circ} \pm 5^{\circ}$ (GB)

**Körperschalllautsprecher EXT-3213K13**

Art. Nr. 105005

**Sample Testing Report:**

NO	ITEM	TESTING CONDITIONS	No1	No2	No3	No4	Result
1	Speaker Size	Out Diameter : $\Phi 64 \pm 0.3 \text{mm}$	64	64	/	/	OK
2	Impedance	$8 \Omega \pm 15 \%$ At 1KHZ,1.0V (D.C.R: $7.2 \Omega \pm 10\%$ )	7.2	7.2	/	/	OK
3	Resonance Frequency	$165 \text{Hz} \pm 20\%$ (F0 Meter)	165	165	/	/	OK
4	Buzz & Rattle Test	Must Be Normal: Wave 8.94V (Form 200Hz To 20KHz )	√	√	/	/	OK
5	Polarity	When a positive D.C voltage is applied To the voice coil terminal marked to Diaphragm should move to the front	√	√	/	/	OK
6	Flux Density	$12500 \text{GAUSS} \pm 10\%$	12500	12700	/	/	OK
7	Power Test	IEC 268-5 12.65V 24 Hours	√	√	/	/	OK
8	Heat Resistance	Temperature: $+60^\circ \text{C} \pm 2^\circ \text{C}$ Duration: 24 Hours	√	√	/	/	OK
9.	Humidity Resistance	Temperature: $+40^\circ \text{C} \pm 2^\circ \text{C}$ Relative Humidity: $93(+2/-3)\%$ Duration: 48 Hours(GB)	√	√	/	/	OK
10	Low Temperature	Temperature: $-10^\circ \text{C} \pm 3^\circ \text{C}$ testing 1 Hours And then $-20^\circ \text{C} \pm 3^\circ \text{C}$ testing 2 Hours(GB)	√	√	/	/	OK
11	Dropping Test	$600 \text{mm} \pm 25 \text{mm}$ $60^\circ \pm 5^\circ$ (GB)	√	√	/	/	OK

**Körperschalllautsprecher EXT-3213K13**

Art. Nr. 105005

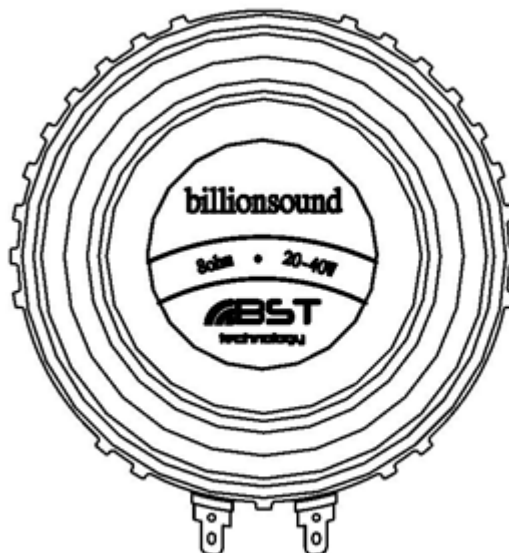
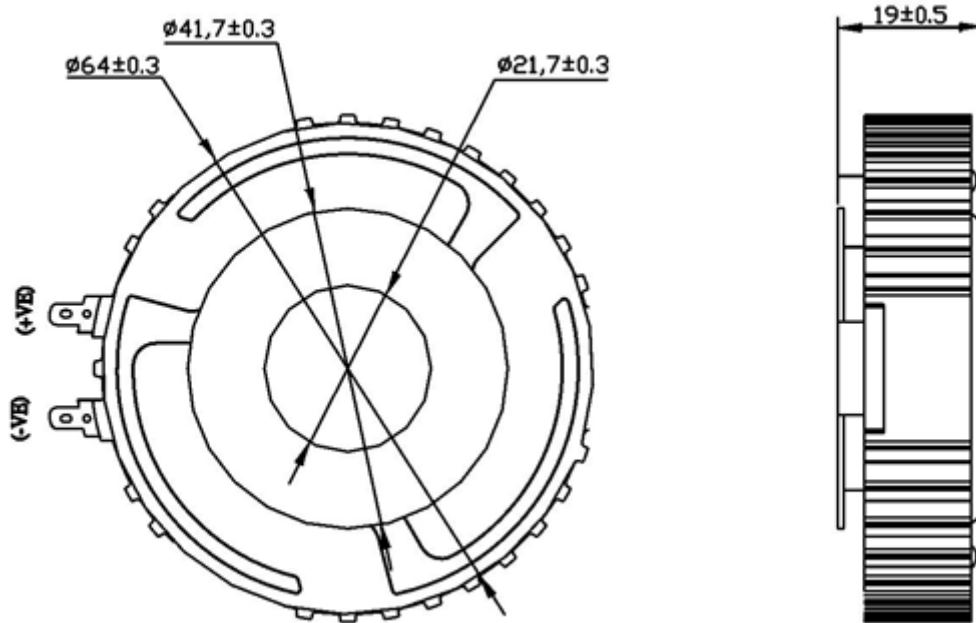
**RoHS Substance Confirmation Form:**

NO	SUPPLY ITEM		RoHS Substance Inspection Result						Survey Report No ( 6 Material )
			Cd	Pb	Hg	Cr6+	PBB	PBDE	
	Item	Material	100	1000	1000	1000	1000	1000	Ppm
1	Magnet	N40	ND	ND	ND	Negative	ND	ND	ECL01I001310004C
			OK	OK	OK	OK	OK	OK	2016/01/12
2	U cup/Washer	Fe	ND	ND	ND	Negative	ND	ND	CANEC1504032002
			OK	OK	OK	OK	OK	OK	2015/03/27
3	Voice Coil	KSV	ND	ND	ND	ND	ND	ND	KA/2015/91132
			OK	OK	OK	OK	OK	OK	2015/09/25
4	Basket	ABS	ND	ND	ND	ND	ND	ND	CE/2011/71321A
			OK	OK	OK	OK	OK	OK	2011/07/13
5	Coupler ring	ABS	ND	ND	ND	ND	ND	ND	KA/2010/C1706
			OK	OK	OK	OK	OK	OK	2010/01/06
6	Screw	Fe	ND	ND	ND	Negative	NA	NA	CANEC1100852106
			OK	OK	OK	OK	NA	NA	2010/03/18
7	Terminal	/	ND	ND	ND	Negative	ND	ND	CE/2011/12724
			OK	OK	OK	OK	OK	OK	2011/10/20
8	Rubber	/	ND	ND	ND	ND	ND	ND	RLSZD000850880001
			OK	OK	OK	OK	OK	OK	2011/13/23
9	Stainless steel plate	/	ND	ND	ND	Negative	ND	ND	CE/2011/67110
			OK	OK	OK	OK	OK	OK	2011/06/28
10	Glue	GF6000	ND	ND	ND	ND	ND	ND	CE/2015/32663B
			OK	OK	OK	OK	OK	OK	2015/3/17

**Körperschalllautsprecher EXT-3213K13**

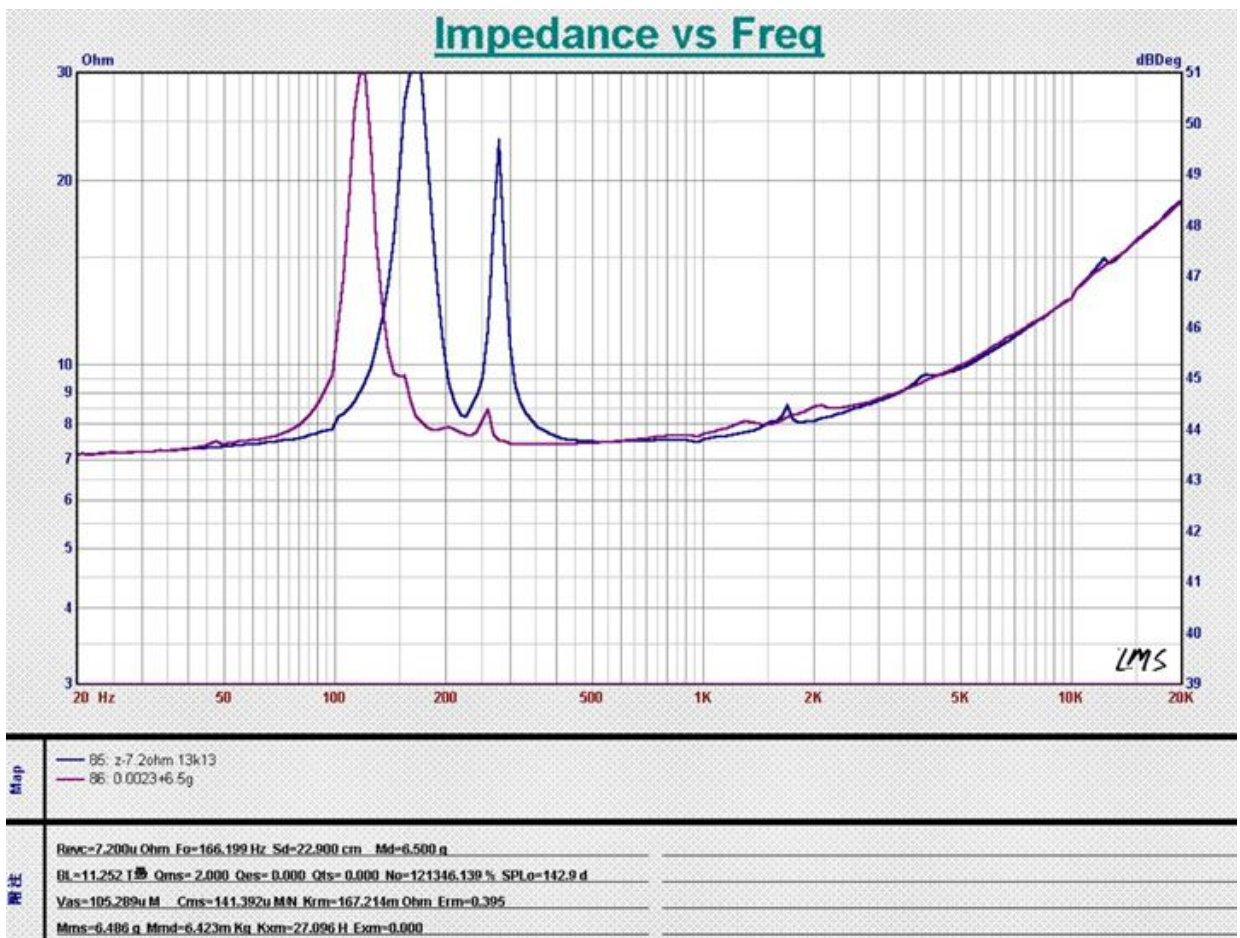
Art. Nr. 105005

**Dimension:**



**Körperschalllautsprecher EXT-3213K13**

Art. Nr. 105005



Version 1 / 04/2024